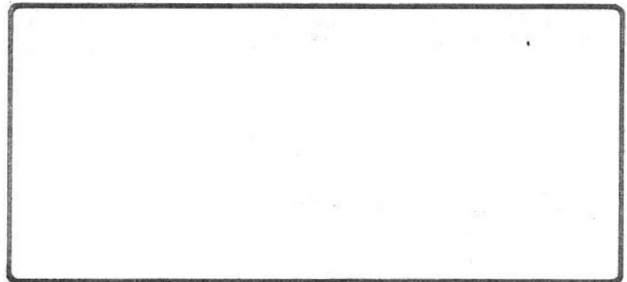


BRISTOL

VR CHASSIS SERIES 3

PARTS LIST FOR



**BRISTOL COMMERCIAL VEHICLES
BUS MANUFACTURERS LTD.**

Bath Road, Brislington, Bristol BS4 3LD England
Telephone: Bristol 777613 Telex: 44810



**LEYLAND TRUCK AND BUS
SERVICE DIVISION**

Leyland, Preston PR5 1SN, Lancashire
Telephone: Leyland 21400 Telex: 67655



ENGINE
EO.501/192/2
PL 302217

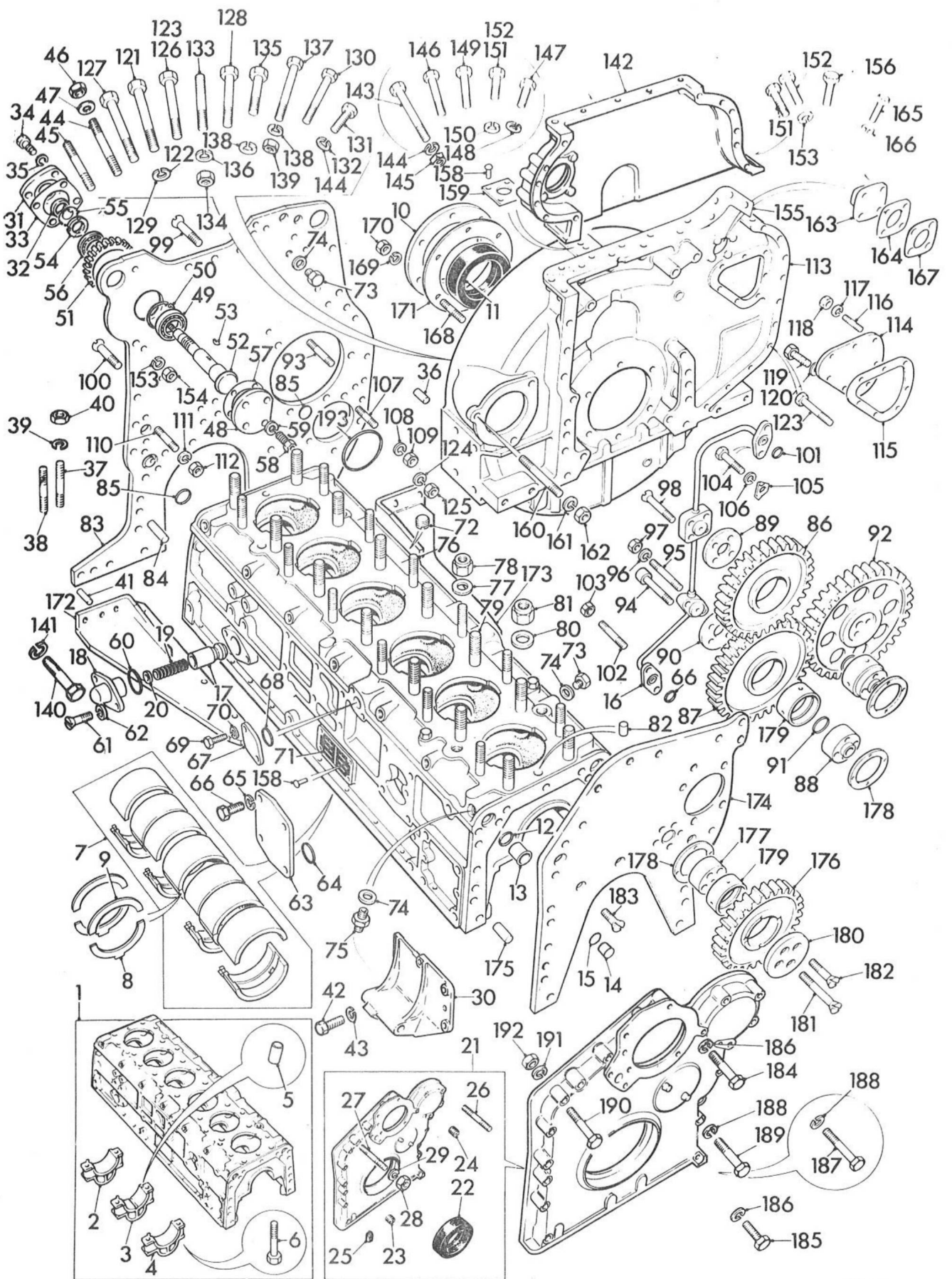
Group
A

ENGINE

Illus. ref.	Part	Description	Quantity per unit
Sub Group A.1			
CRANKCASE UNIT ECC.337			
1	10808240	CRANKCASE and bearing caps sub assembly	1
2	10808035	CAP main bearing front and rear	2
3	10808036	CAP main bearing centre	1
4	10808037	CAP main bearing intermediate	4
5	802164	DOWEL	1
6	10807491	BOLT main bearing	14
7	10808737	BEARING set main comprising 10808730 main bearing front centre and rear 3 pairs 10808731 main bearing intermediate 4 pairs	1 set
8	802106	WASHER thrust cap	2
9	802107	WASHER thrust crankcase	2
10	10803824	HOUSING rear	1
11	10803915	SEAL oil	1
12	10808074	O-RING)Crankcase oil gallery	1
13	802336	FERRULE) front face	1
14	10806215	PLUG	1
15	10808074	O-RING	1
16	10806733	PIPE oil supply sub assembly	1
17	802123	PISTON oil pressure relief valve	1
18	802124	COVER relief valve	1
19	802125	SPRING	1
20	802112	WASHER adjustment	1
21	AAL0682	CASING front auxiliary drive assembly	1
22	10803915	SEAL oil	1
23	10803389	INSERT helicoil	1
24	10803385	INSERT thread helicoil	2
25	10803388	INSERT thread helicoil	4
26	802301	STUD 8 mm x 1.25	2
27	CAL5360	STUD 8 mm x 1.25	3
28	NH108040	NUT	5
29	WL108001	WASHER	5
	WAL1714	FILLER oil sub assembly	1
	800679	CAP filler sub assembly	1

Illus. ref.	Part	Description	Quantity per unit
63	CKJ1008	PLATE cover)	2
64	800934	O-RING) Centrifugal	2
65	WS110001	WASHER spring 10 mm) face both sides	8
66	SH110250	SCREW)	8
67	802028	COVER oil gallery	1
68	801858	O-RING)	1
69	SH108200	SCREW 8 mm x 1.25) Cover to	2
70	WL108001	WASHER lock 8 mm) crankcase	2
71	802166	PLATE serial engine	1
72	802012	PLUG	1
73	802045	PLUG)	14
74	802063	WASHER) Oilways to	15
75	10804223	ADAPTER union) main bearings	1
76	10804337	STUD special)	12
77	WA112080	WASHER plain 12 mm)	12
78	10803454	NUT 12 mm x 1.75)	12
79	10804336	STUD special 16 mm) Cylinder block	14
80	WA116100	WASHER plain 16 mm) to crankcase	14
81	10806257	NUT 16 mm x 2.00)	14
82	802278	DOWEL)	2
83	BWJ0003	PLATE gear rear	1
84	802279	DOWEL rear gear plate and flywheel housing to crankcase	2
85	10808075	O-RING rear gear plate to crankcase	2
86	801959	GEAR idler small	1
87	801960	GEAR idler large	1
88	801952	HUB gear idler	2
89	801991	PLATE end	1
90	10803757	PLATE end	1
91	802264	O-RING	2
92	10808081	GEAR compressor driving	1
93	802299	STUD special compressor gear retention	1
94	SJ108350	SCREW socket 8 mm x 1.25)	2
95	10804187	STUD 8 mm) Small gear hub	2
96	WS108001	WASHER spring) to gear plate	2
97	NH108040	NUT normal 8 mm x 1.25)	2
98	10807456	SCREW machine 8 mm x 1.25 oil supply flange and gear hub to gear plate	1

Illus. ref.	Part	Description	Quantity per unit
132	WL108001	WASHER lock 8 mm) Flywheel	8
133	TD110280	STUD 10 mm x 1.5) housing to	2
134	NH110040	NUT normal 10 mm x 1.50) gear plate	2
135	BH110071	BOLT 10 mm x 1.5)	1
136	WL110001	WASHER lock 10 mm) Flywheel	1
137	BH108151	BOLT 8 mm x 1.25) housing and	1
138	WL108001	WASHER lock 8 mm) gear plate	1
139	NH108040	NUT normal 8 mm x 1.25)	1
140	BH110121	BOLT 10 mm x 1.5) Support bracket and gear	4
141	WL110001	WASHER lock 10 mm) plate to flywheel housing	4
142	KAJ0005	CASING auxiliary drive rear upper	1
143	BH108201	BOLT 8 mm x 1.25) Rear gear cover	2
144	WS108001	WASHER spring) and gear plate to	2
145	NH108040	NUT normal 8 mm x 1.25) tappet block	2
146	BH108121	BOLT 8 mm x 1.25)	4
147	SH108250	SCREW 8 mm x 1.25) Rear gear	3
148	WL108001	WASHER lock 8 mm) cover to	7
149	SH110250	SCREW 10 mm x 1.50) gear plate	1
150	WL110001	WASHER lock 10 mm)	1
151	10808640	BOLT fitted) Rear gear	1
152	10808641	BOLT fitted) cover and	1
153	WL108001	WASHER lock 8 mm) gear plate	2
154	NH108040	NUT normal 8 mm x 1.25)	2
155	10806704	JOINT) Rear gear cover	1
156	SH108250	SCREW 8 mm x 1.25) to flywheel housing	15
157	WL108001	WASHER lock 8 mm)	15
158	AU604041	SCREW drive	8
159	10803318	PLATE instruction timing	1
160	TE116080	STUD 16 mm x 2.00) Starter motor	3
161	WL116001	WASHER lock 16 mm) to flywheel	3
162	NH116040	NUT normal 16 mm x 2.00) housing	3
163	10925224	PICK-UP tachometer	1
164	802512	JOINT) Tachometer	1
165	SH106160	SCREW 6 mm x 1.0) pick-up to	4
166	WS106001	WASHER spring 6 mm) flywheel	4
167	10807218	SHIM) housing	as reqd



Illus. ref.	Part	Description	Quantity per unit
Sub Group A.3			
CRANKSHAFT UNIT ECS.206			
1	10806148	CRANKSHAFT sub assembly	1
2	10806130	GEAR crankshaft	2
3	802175	KEY	2
4	10803823	SLEEVE	2
5	10805540	CASING flywheel sub assembly	1
6	802374	RING starter	1
7	802405	HOUSING spigot bearing	1
8	842360	BEARING roller	1
9	802501	CIRCLIP	1
10	SH108200	SETSCREW 8 mm x 20	3
11	WL108000	WASHER	3
12	10804776	DAMPER crankshaft	1
13	10804777	ADAPTER crankshaft	1
14	802267	BOLT adapter to crankshaft	6
15	SH110250	SETSCREW 10 mm x 25)	6
16	10805130	PLATE locking) Damper to adapter	2
17	802785	DOWEL)	2
18	802164	DOWEL) Flywheel to crankshaft	1
19	802266	BOLT)	6
20	TE110060	STUD 10 mm x 1.50)	4
21	WS110000	WASHER 10 mm spring) Flywheel to	4
22	NH110040	NUT 10 mm) fluid clutch	4



Illus. ref.	Part	Description	Quantity per unit
		<p style="text-align: center;">Sub Group A.4</p> <p style="text-align: center;">PISTONS AND CONNECTING RODS UNIT ECN.147/1</p> <p>All parts as quoted on unit specification ECN.147 with the following exceptions:</p> <p style="text-align: center;">REPLACEMENT PARTS</p> <p>The following Big End Bearings to be used:</p>	
	10808782	BEARING set comprising 6 pairs 10808864	1

Illus. ref.	Part	Description	Quantity per unit
Sub Group A.4			
PISTONS AND CONNECTING RODS UNIT ECN.147			
1	PEJ0002	PISTON	1
2	AAL0724	RING oil container sub assembly	1
3	RPJ1006	RING wedge compression	1
4	10807258	RING parallel compression	1
5	803102	PIN gudgeon	1
6	803133	CIRCLIP internal 1.75 bore	2
7	803135	ROD connecting sub assembly	1
8	802971	BUSH small end	2
9	801866	BOLT	2
10	801867	NUT	2
11	10806398	BEARING big end set comprises 6 pairs 10806397	1 set
12	10806397	BEARING big end sub assembly	1 pair

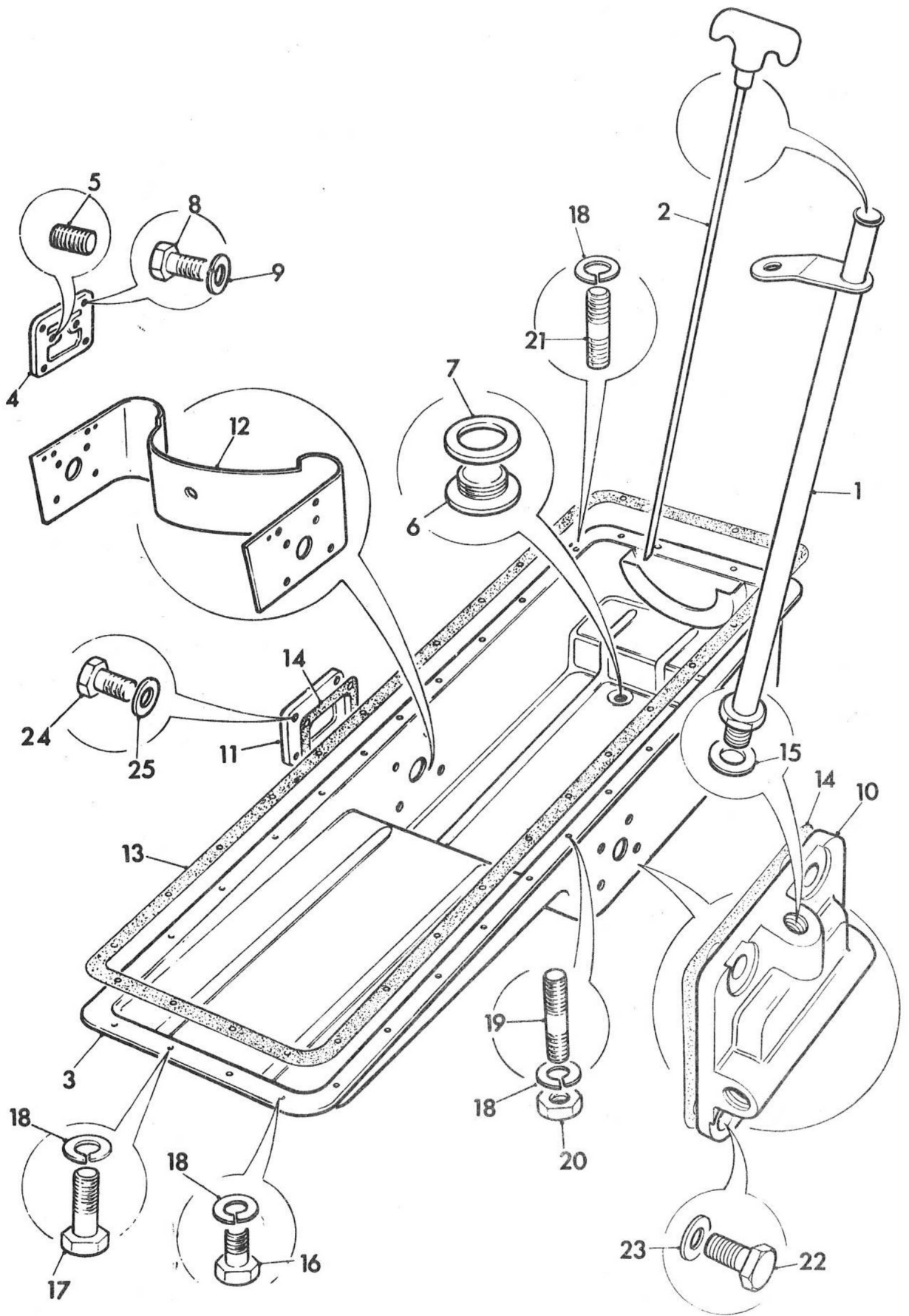
Illus. ref.	Part	Description	Quantity per unit
		Sub Group A.7	
		WATER PUMP UNIT EWP.178/3	
		All parts as quoted on unit specification EWP.178 with the following exceptions:	
		REPLACEMENT PARTS	
	AAL1850	PUMP water assembly replaces 10807018 and comprises the same parts with the following exceptions:	1
	EWJ0001	ELBOW inlet replaces 10808409	1
	13834	PLUG drain 1/2" BSP deleted	1
	BH108121	BOLT 8 mm x 1.25 replaces BH108161) Inlet elbow	2
	SH108200	SCREW 8 mm x 1.25 replaces SH108250) to water	2
) pump casing	
	BH108141	BOLT 8 mm x 1.25 replaces BH108111) Water pump	4
	BH108161	BOLT 8 mm x 1.25 replaces BH108111) to gear cover	1

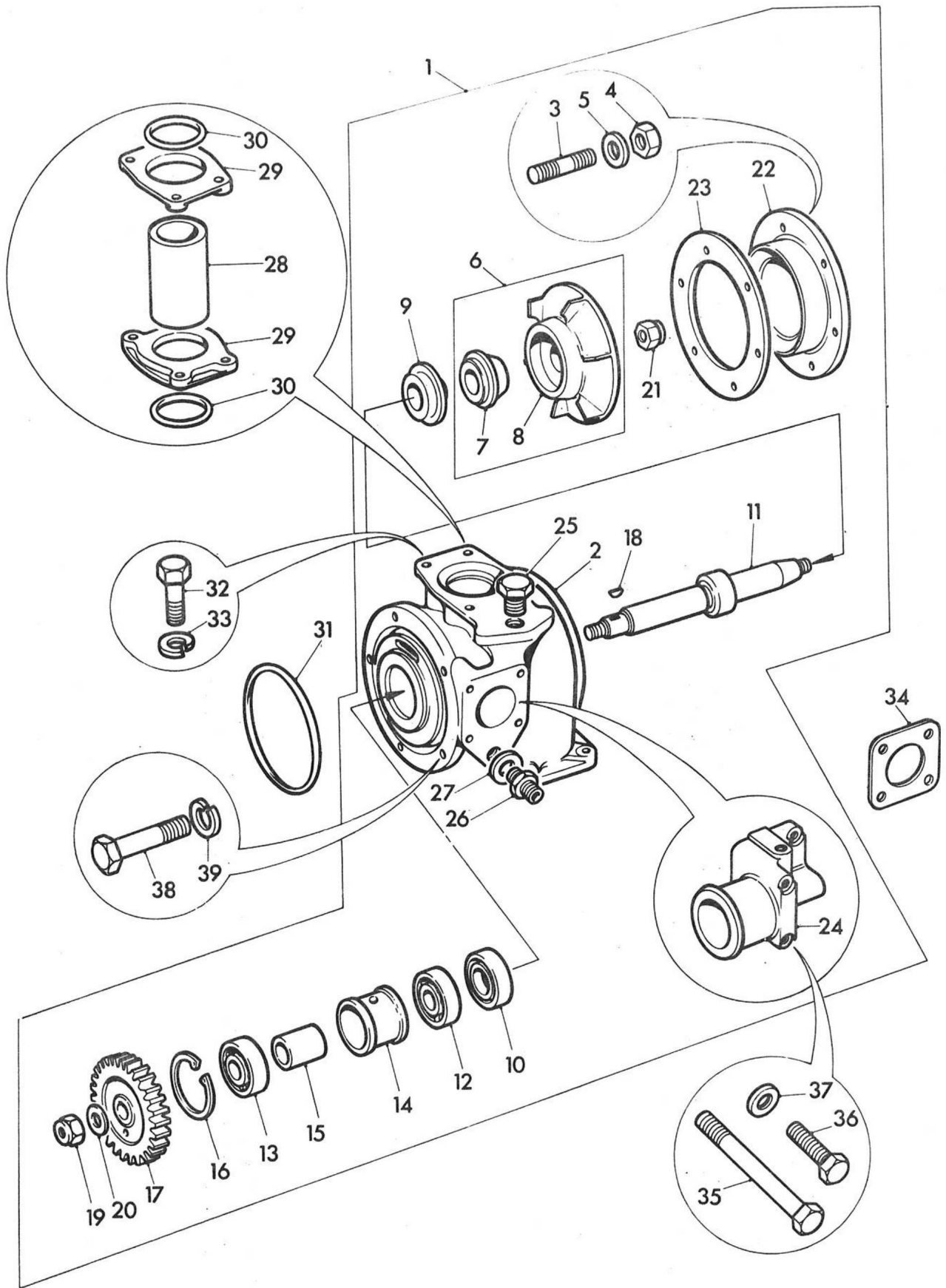
Illus. ref.	Part	Description	Quantity per unit
Sub Group A.7			
WATER PUMP EWP.178			
1	10807018	PUMP water assembly	1
2	10807003	CASING water pump	1
3	801706/18	STUD	6
4	801672	NUT 8 mm	6
5	801661	WASHER 8 mm	6
6	802094	IMPELLER assembly	1
7	801069	INSERT ceramic sub assembly	1
8	802042	IMPELLER	1
9	802176	SEAL water pump sub assembly	1
10	802495	SEAL oil	1
11	802037	SHAFT driving	1
12	802022	BALL bearing	1
13	802023	ROLLER bearing	1
14	802004	DISTANCE PIECE outer	1
15	802003	DISTANCE PIECE inner	1
16	802027	CIRCLIP internal	1
17	801983	GEAR driving	1
18	801940	KEY	1
19	10803454	NUT 12 mm x 1.75	1
20	801651	WASHER	1
21	802018	NUT for impeller	1
22	802055	COVER end	1
23	802056	JOINT	1
24	10808409	ELBOW inlet	1
25	13834	PLUG drain 1/2" BSP	2
26	10807008	ADAPTER	1
27	X42629	WASHER	1
28	802090	PIPE by-pass	1
29	801775	FLANGE	2
30	801776	O-RING for flange	2
31	802378	O-RING pump to backplate	1
32	BH108111	BOLT 8 mm x 1.25) Pump to gear	5
33	801684	WASHER spring) plate and cover	5
34	802096	JOINT)	1
35	BH108161	BOLT 8 mm x 1.25) Inlet elbow to casing	2
36	SH108250	SCREW 8 mm coarse)	2
37	801661	WASHER 8 mm)	4



SUMP
ES. 149
PL 200089
P1508

SUMP



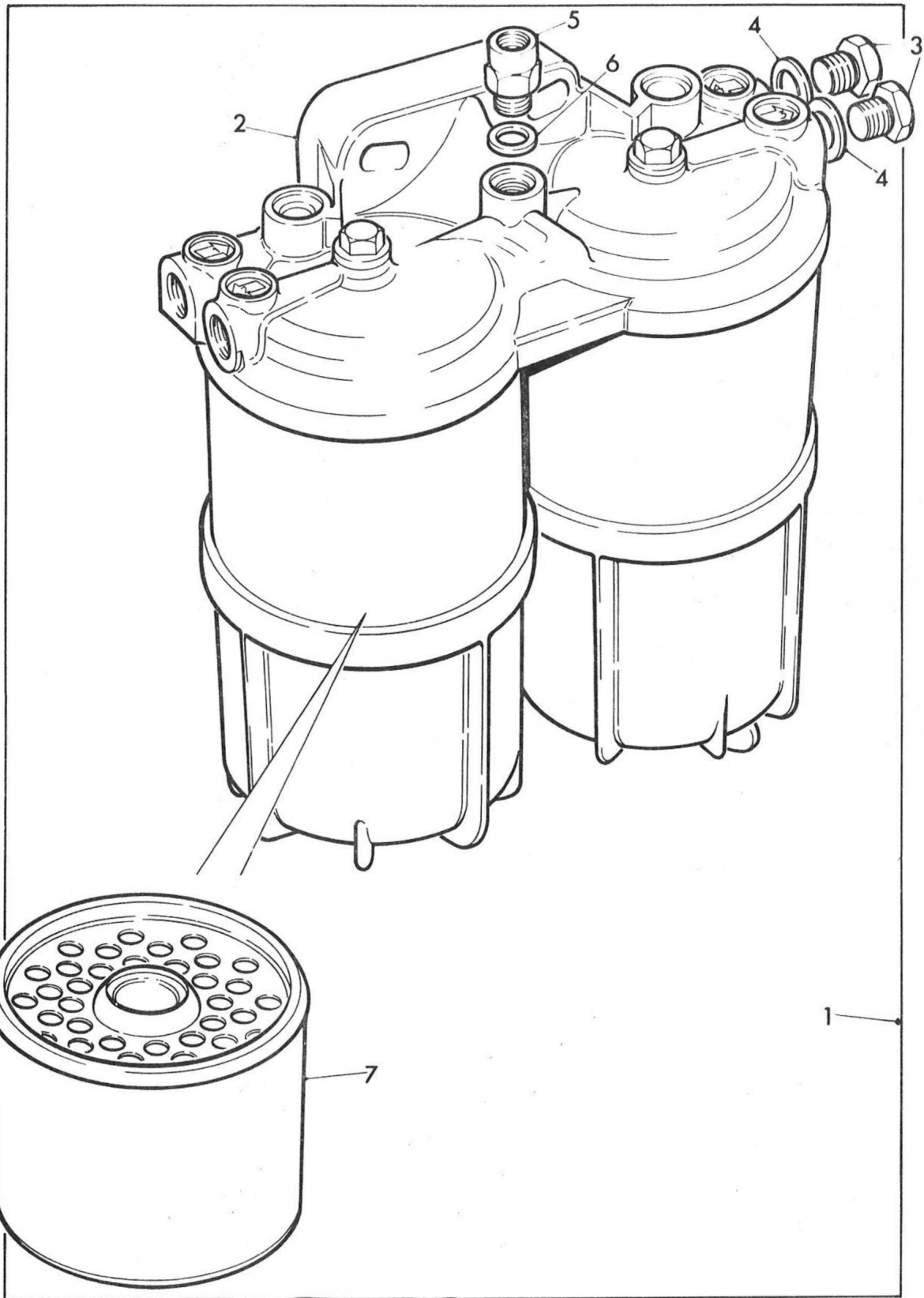


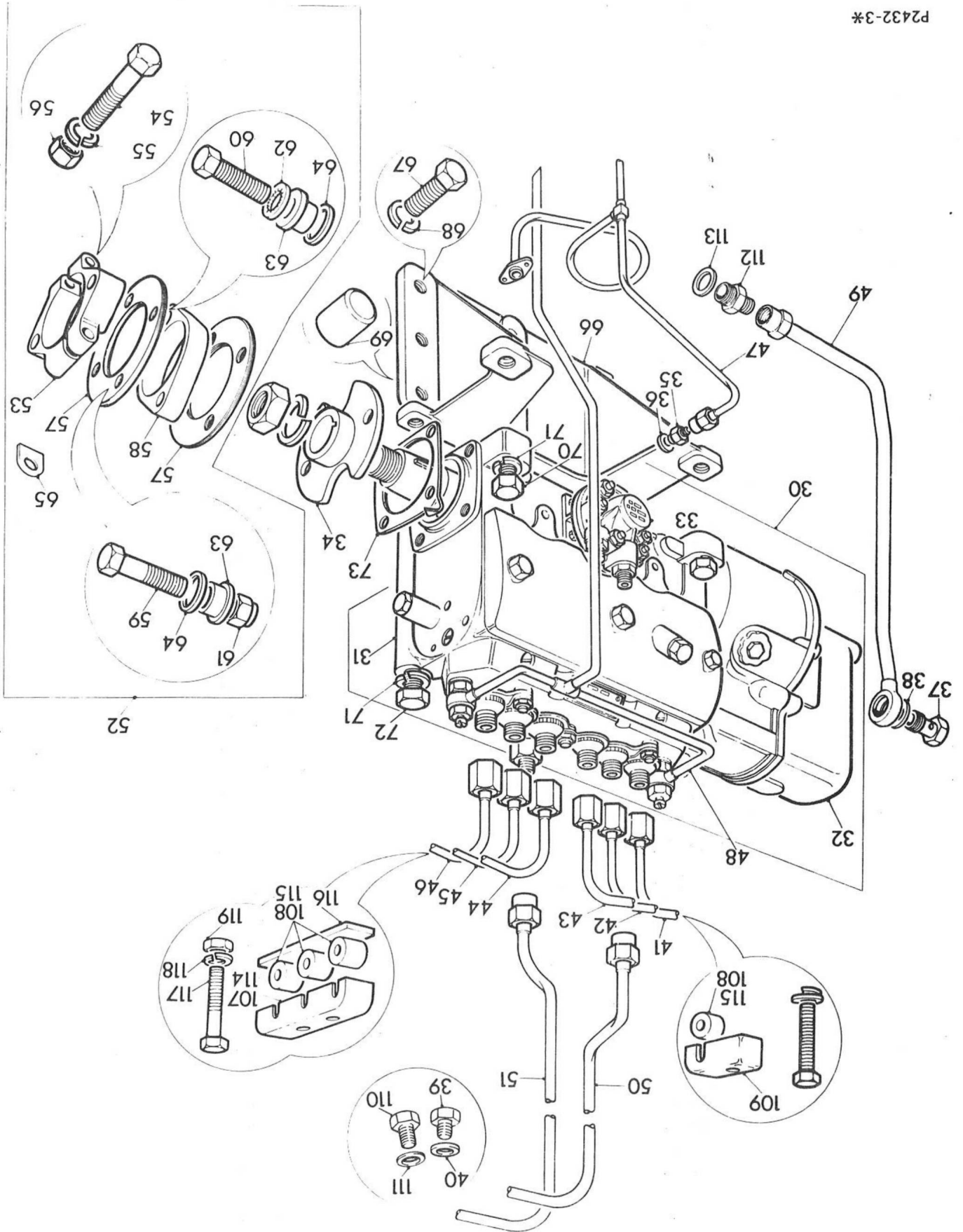
Illus. ref.	Part	Description	Quantity per unit
Sub Group A.8			
OIL PUMP UNIT EOP.104			
1	10807699	PUMP oil assembly	1
2	10806060	COVER oil pump	1
3	801806	BUSH	1
4	10806059	BODY oil pump	1
5	10806064	GEAR pump driven	1
6	10806065	GEAR pump idler	1
7	801843	SHAFT driving	1
8	801941	KEY	1
9	10808080	GEAR driving	1
10	10806066	JOINT	1
11	801807	SPINDLE idler gear	1
12	10808431/16	SCREW 8 mm	4
13	801846	DOWEL)	2
14	SH110300	SCREW 8 mm x 1.50) Pump body to	4
15	WL110001	WASHER lock 8 mm) crankcase	4
16	10806975	SHIM)	as req'd
17	SH108250	SCREW 8 mm x 1.25) Oil pump cover	6
18	WL108001	WASHER lock 8 mm) to body	6
19	10807354	BRANCH suction	1
20	802476	FILTER suction	1
21	SH108200	SCREW 8 mm x 1.25	3
22	WS108001	WASHER spring	3
23	10805751	ELBOW	2
24	10806063	FLANGE pipe	1
25	CAL6001	O-RING	3
26	10808067	PIPE oil supply sub assembly	1
27	BH108081	BOLT 8 mm x 1.25)	4
28	WL108001	WASHER lock 8 mm) Elbows to	4
29	803063	JOINT) crankcase	2
30	SH108200	SCREW 8 mm x 1.25)	3
31	NH108040	NUT normal 8 mm x 1.25)	1
32	TE108040	STUD 8 mm x 1.25) Pipes to	1
33	WA108050	WASHER plain 8 mm) pump body	3
34	WL108001	WASHER lock 8 mm)	1
35	10806067	JOINT)	2

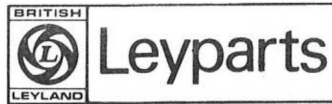
Illus. ref.	Part	Description	Quantity per unit
		Sub Group A.10A	
		FUEL INJECTION EQUIPMENT UNIT FIE.30A/1	
		All parts as quoted on unit specification FIE.30A with the following exceptions:	
		REPLACEMENT PARTS	
	801771	WASHER replaces 10805920	6
		ADDITIONAL PARTS	
	10806758	SLEEVE injector	6
	GS104040	SCREW Grub 4 m	12

Illus. ref.	Part	Description	Quantity per unit
Sub Group A.10A			
FUEL INJECTION EQUIPMENT UNIT FIE.30A			
1	10805409	FILTER fuel sub assembly	1
2	614883	FILTER fuel	1
3	609461	PLUG	2
4	609462	WASHER	2
5	10805441	ADAPTER leak-off	1
6	802063	WASHER	1
7	601980	ELEMENT	2
8	146855	WASHER) Numbers 3 and 4	2
9	803090	ADAPTER) ports	2
10	10621826	TAP stop)	1
11	239098	WASHER) Fuel oil pipe	2
12	233512	ADAPTER union) filter to pump	1
13	BH110081	BOLT 10 mm x 1.5)	2
14	WL110001	WASHER lock 10 mm) Agglomerator	2
15	NH110040	NUT normal 10 mm x 1.50) to bracket	2
16	WAL1674	BRACKET fuel filter sub assembly	1
17	10807835/3	INJECTION 17 mm	6
18	10805920	WASHER	6
19	802800	OLIVE	6
20	10807888	NUT union	6
21	10806246	CLAMP	6
22	10808615	STUD injector	12
23	NH108040	NUT normal 8 mm x 1.25	12
24	10807931	FERRULE injector	12
25	10806173	SPRING clamping injector	12
26	10806194	PLATE locking	12
27	WAL2109	PIPE leak-off sub assembly nozzle to reservoir	1
28	CAL5476	BOLT banjo	1
29	802063	WASHER	2
30	AAU1104	PUMP fuel assembly CAV comprising	1
31		FUEL PUMP NNL64100/437K	
32		GOVERNOR LWEB 8R9 (180-1001)	
33		LIFT PUMP DFP 3/79	

Illus. ref.	Part	Description	Quantity per unit
70	BH110381	BOLT 10 mm x 1.5)	2
71	WS110001	WASHER spring 10 mm) Pump to	4
72	10806114	BOLT fitted 10 mm x 45 long) bracket	2
73	10807284	BRACKET timing)	1
74	10805341	CYLINDER throttle control assembly) For air	1
75	EBJ0002	BRACKET throttle cylinder support) throttle	1
76	LKJ0002	CONTROL lever) cylinder	1
77	10804353	PIN) Throttle cylinder	1
78	10804354	E-CLIP) to bracket	2
79	SH108200	SCREW 8 mm x 1.25) Bracket to front	3
80	WL108001	WASHER lock 8 mm) gear plate	3
81	BH105041	BOLT 5 mm x 0.8) Lever to	1
82	WL105001	WASHER spring 5 mm) spindle	1
83	10803690	JAW-END)	1
84	NH108040	NUT normal 8 mm x 1.25) Lever to	1
85	10803722	PIN) throttle	1
86	WA106040	WASHER plain 6 mm) cylinder	1
87	PS604050	SPLIT-PIN)	1
88	10805839	SOLENOID)	1
89	CAL1234	BRACKET stop solenoid) For solenoid	1
90	MBJ0019	BRACKET return spring) control	1
91	CAL2857	COVER terminal)	1
92	NT108040	NUT thin 8 mm x 1.25)	1
93	NH106040	NUT normal 6 mm x 1.00)	1
94	10805339	JAW-END)	1
95	802730	PIN) Solenoid	1
96	WA106040	WASHER plain 6 mm) to pump	1
97	PS604050	SPLIT-PIN)	1
98	CAL2079	ROD control)	1
99	246797	SPRING)	1
100	10806132	BRACKET spring anchor)	1
101	SH108200	SCREW 8 mm x 1.25) Bracket	1
102	SH108250	SCREW 8 mm x 1.25) to throttle	1
103	NH108040	NUT normal 8 mm x 1.25) cylinder	1
104	WL108001	WASHER lock 8 mm) bracket	2
105	SH404040	SCREW 1/4" B.S.F.) Return spring	2
106	WL600041	WASHER lock) bracket to pump	2



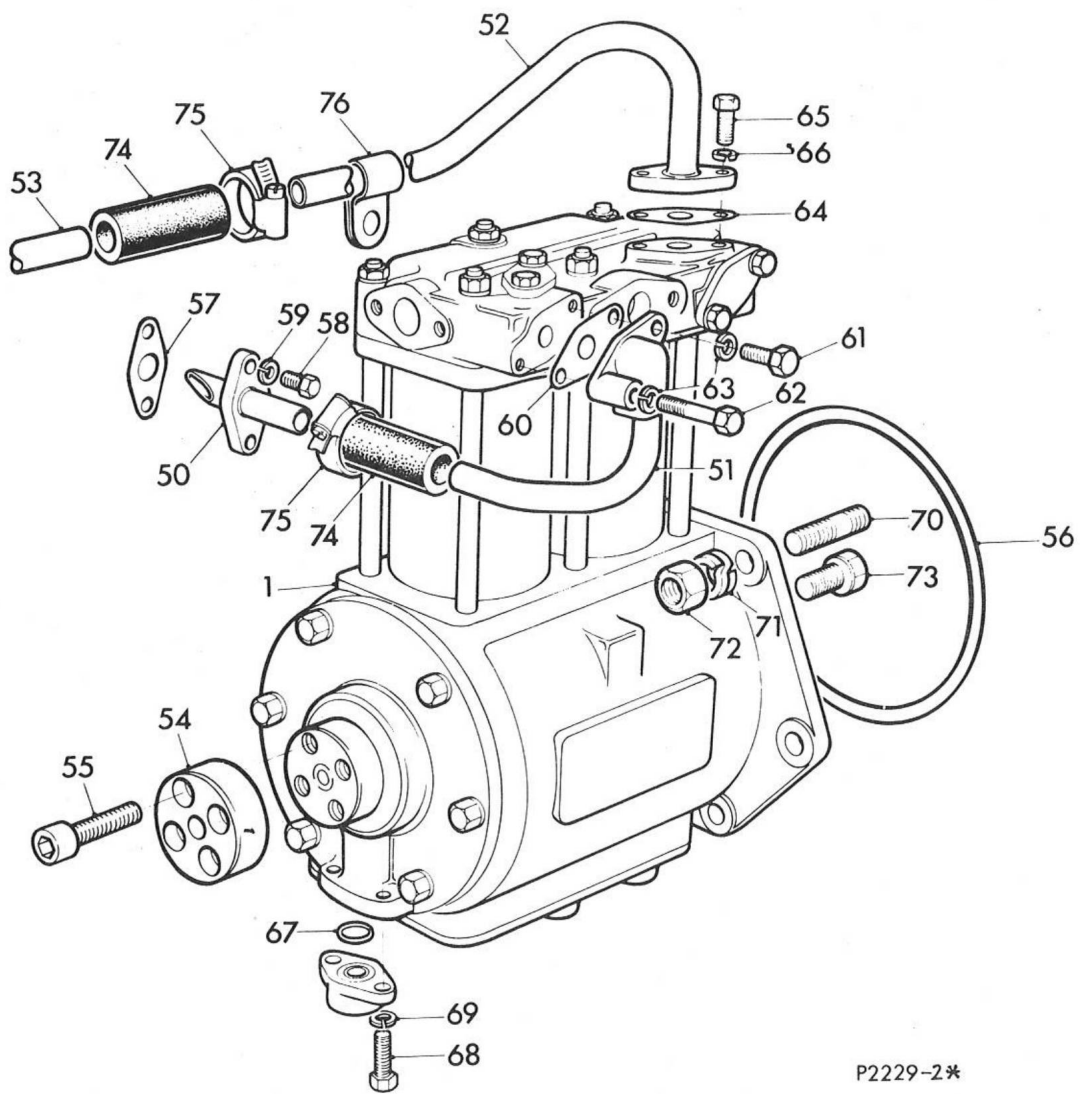




COMPRESSOR
ECR.131
PL 301379
P 2229

Illus. ref.	Part	Description	Quantity per unit
Sub Group A.11			
COMPRESSOR UNIT ECR.131			
1	810088	COMPRESSOR Leyland assembly	1
2	810530	CYLINDER	2
3	810342	JOINT cylinder head	2
4	810391	O-RING	2
5	810588	STUD	2
6	810512	STUD	2
7	810540	STUD	2
8	810523	SCREW	2
9	810524	NUT	6
10	810491	COVER	1
11	810493	JOINT	1
12	810586	WASHER spring	6
13	810205	CRANKCASE assembly	1
14	810516	BUSH	1
15	810486	WASHER thrust	1
16	810531	CRANKSHAFT	1
17	810598	SEAL oil	1
18	810206	COVER end assembly	1
19	810494	BUSH	1
20	810532	JOINT for end cover	1
21	810573	SETSCREW	6
22	810594	WASHER spring	6
23	810533	PLATE sump cover	1
24	810534	JOINT sump cover plate	1
25	810541	SETSCREW	8
26	810593	WASHER spring	8
27	810587	NAMEPLATE	1
28	810490	COVER	2
29	810492	JOINT	2
30	810542	SETSCREW	4
31	810593	WASHER spring	4
32	810207	ROD connecting assembly	2
33	810545	ROD connecting with bolt and small end bush	2
34	810304	BUSH big end	2 pairs
35	810580	STRAP locking	2

Illus. ref.	Part	Description	Quantity per unit
50	10803381	PIPE inlet water sub assembly water rail	1
51	10804668	PIPE inlet water sub assembly compressor	1
52	XAH2030	PIPE outlet water sub assembly compressor to hose	1
53	AAH2001	PIPE outlet water sub assembly hose to pump	1
54	10804986	COLLAR driving	1
55	SS110160	SCREW socket 10 mm coarse	4
56	802409	O-RING compressor to rear gear plate	1
57	802625	JOINT)	1
58	SH106160	SCREW 6 mm x 1.0) Water rail	2
59	WL106001	WASHER lock 6 mm) connection	2
60	802625	JOINT)	1
61	SH106140	SCREW 6 mm x 1.0) Compressor	1
62	BH106061	BOLT 6 mm x 30) water inlet	1
63	WL106001	WASHER lock 6 mm)	2
64	802625	JOINT)	1
65	SH106140	SCREW 6 mm x 1.0) Compressor	2
66	WL106001	WASHER lock 6 mm) water outlet	2
67	801201	O-RING)	1
68	SH106160	SCREW 6 mm x 1.0) Compressor	2
69	WL106001	WASHER lock 6 mm) oil feed	2
70	802299	STUD special) Compressor	6
71	WS110001	WASHER spring 10 mm) for rear	6
72	NH110040	NUT normal 10 mm x 1.50) gear plate	6
73	10808429/22	BOLT 10 mm x 1.5 drive gear to compressor	4
74	511331	HOSE flexible) Water inlet and	2
75	CJ600124	CLIP hose) outlet pipes	4
76	10807007	CLIP water outlet pipe to side cover	3



P2229-2*



OIL FILTER
EOF.59/2
PL 101941/2

Illus. ref.	Part	Description	Quantity per unit
	CAL2780	<p style="text-align: center;">Sub Group A.13</p> <p style="text-align: center;">OIL FILTER UNIT EOF.59/2</p> <p>All parts as quoted on unit specification EOF.59 with the following exceptions:</p> <p style="text-align: center;">REPLACEMENT PARTS</p> <p>ADAPTER replaces plug 802672</p>	1



Leyparts

OIL FILTER

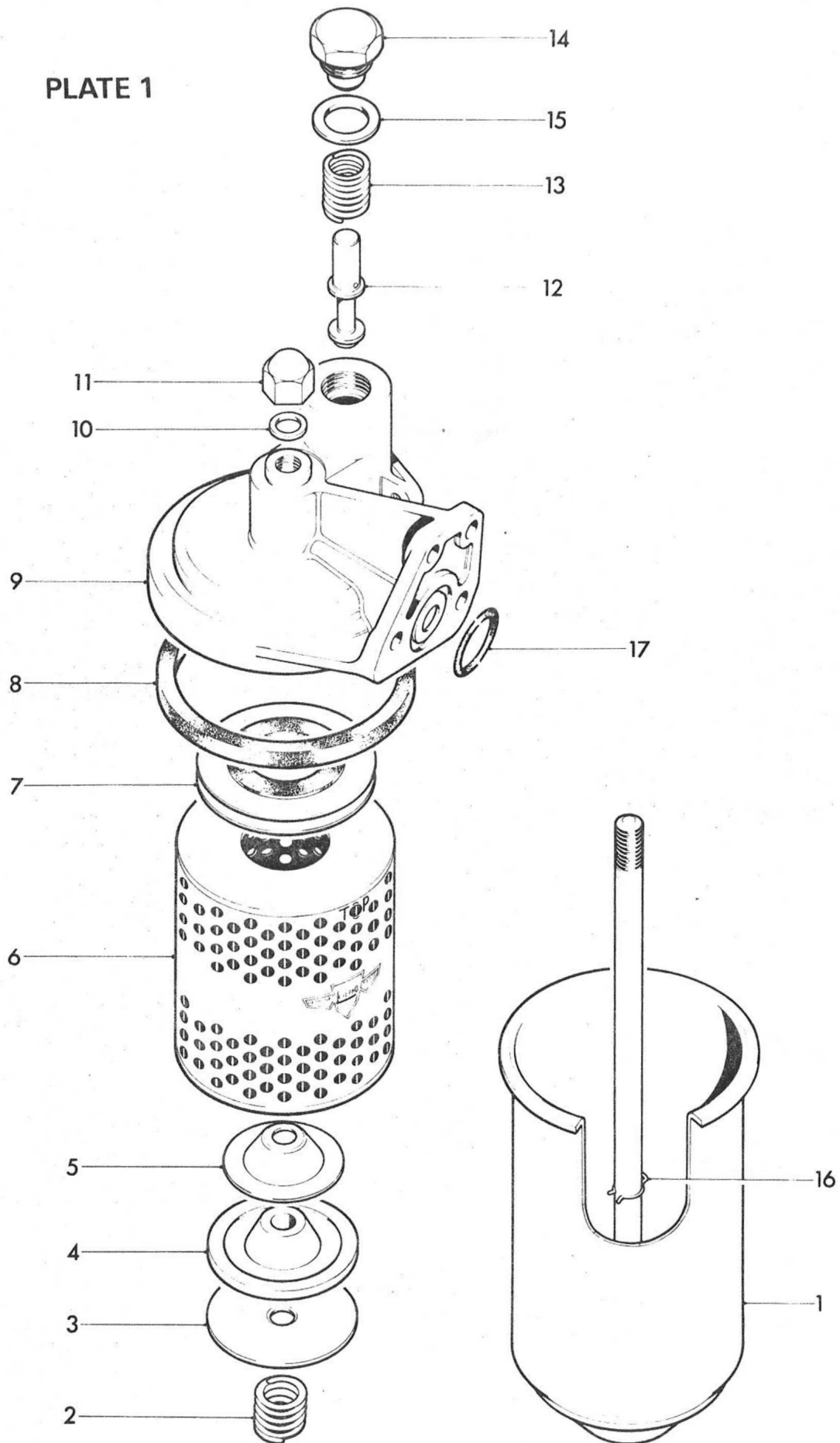
EOF.59

PL 101941

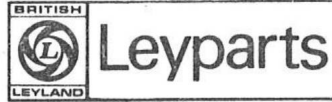
P 1027

OIL FILTER

PLATE 1



P1027



DYNAMO DRIVE
DD. 329
PL 301380
P 1946

Illus. ref.	Part	Description	Quantity per unit
Sub Group A.15			
DYNAMO DRIVE UNIT DD. 329			
1	852584	ALTERNATOR	1
2	10623302	PULLEY	1
3	KDJ1002	CRADLE alternator	1
4	FBJ0002	DRIVE V-belt	3
5	H AJ0002	ROD adjusting	1
6	RDJ0001	PIN alternator pivot	1
7	WS116001	WASHER spring 16 mm	1
8	NH116040	NUT normal 16 mm x 2.00	1
9	SH112350	SCREW 12 mm x 1.75) Adjusting rod	1
10	WL112001	WASHER lock 12 mm) to cradle	1
11	SH506080	SCREW 3/8" UNC) Alternator	2
12	SH506100	SCREW 3/8" UNC) to cradle	1
13	WS600061	WASHER 3/8" spring)	3
14	WAL1651	BRACKET sub assembly)	1
15	CAL3042	WASHER saddle) Adjusting rod	2
16	NT112040	NUT thin 12 mm) to gear cover	2
17	SH112300	SCREW 12 mm x 1.75)	1
18	WL112001	WASHER lock 12 mm)	1

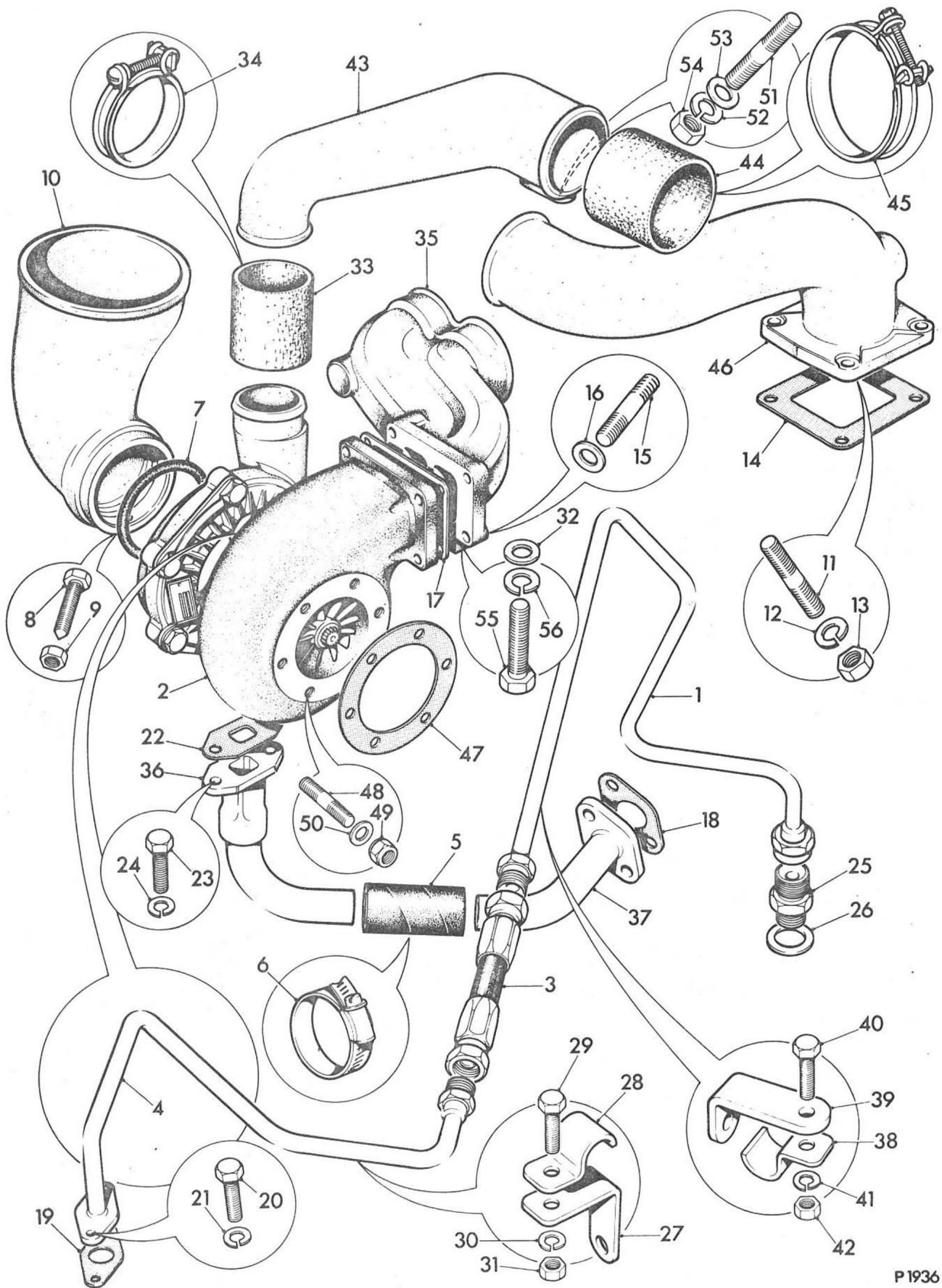


STARTER MOTOR
SM.121
PL 105571

Illus. ref.	Part	Description	Quantity per unit
		Sub Group A.16	
		STARTER MOTOR UNIT SM.121	
	852651 608328	MOTOR starter SHIM	1 as reqd

Illus. ref.	Part	Description	Quantity per unit
Sub Group A.18			
HYDRAULIC SYSTEM UNIT EHS.45			
1	10808738	PUMP sub assembly	1
2	10808740	FLANGE	1
3	321062	JOINT	1
4	SS604050	SCREW socket 1/4" UNF	4
5	10808739	GEAR steering pump	1
6	545450	KEY	1
7	546977	BOLT special	1
8	170960	WASHER locking	1
9	KJJ0005	JOINT)	1
10	BH108151	BOLT 8 mm x 1.25) Pump to front	2
11	NH108040	NUT normal 8 mm x 1.25) gear cover	2
12	WL108001	WASHER lock 8 mm)	2

Illus. ref.	Part	Description	Quantity per unit
Sub Group A.21			
SUPERCHARGER UNIT ESC.65			
1	WAL0498	PIPE oil feed sub assembly filter to flexible hose	1
2	CAL2616	TURBOCHARGER Airesearch assembly	1
3	614126	HOSE flexible sub assembly	1
4	WAL0499	PIPE oil feed sub assembly flexible hose to turbocharger	1
5	10806026	HOSE)	1
6	CJ600224	CLIP hose) Oil drain pipe connection	2
7	10803275	O-RING)	1
8	10805743	SETSCREW special) Turbocharger	1
9	NH106040	NUT normal 6 mm x 1.00) to air cleaner	1
10	EAJ0002	ELBOW)	1
11	TE108050	STUD 8 mm x 1.25)	4
12	WL108001	WASHER lock 8 mm) Inlet pipe to	4
13	NH108040	NUT normal 8 mm x 1.25) manifold	4
14	802681	JOINT)	1
15	TD110050	STUD 10 mm x 1.50) Turbocharger	4
16	WA110060	WASHER plain 10 mm) to exhaust	4
17	10808644	JOINT turbine inlet) elbow	1
18	803136	JOINT oil drain pipe to gear cover	1
19	10806313	JOINT)	1
20	SH108200	SCREW 8 mm x 1.25) Feed pipe to	2
21	WL108001	WASHER lock 8 mm) turbocharger	2
22	10806314	JOINT)	1
23	SH108200	SCREW 8 mm x 1.25) Drain pipe to turbocharger	2
24	WL108001	WASHER lock 8 mm)	2
25	10805007	ADAPTER union)	1
26	802066	WASHER) Oil filter outlet	1
27	10805564	CLIP) Oil feed	1
28	10805563	CLIP) pipe	1
29	SH108160	SCREW 8 mm x 1.25) clamping	1
30	WL108001	WASHER lock 8 mm) (front	1
31	NH108040	NUT normal 8 mm x 1.25) cover)	1



Illust. ref.	Part	Description	Quantity per unit
		Sub Group A.23	
		CYLINDER BLOCK UNIT ECB.37A	
1	AAL8805	BLOCK cylinder complete with liners covers valves guides seats springs etc sub assembly	1
2	801848	LINER cylinder	6
3	10805640	SLEEVE injector	6
4	801828	COVER side	2
5	801880	GUIDE valve inlet	6
6	801879	GUIDE valve exhaust	6
7	UNJ1008	VALVE inlet	6
8	UEJ1007	VALVE exhaust	6
9	UZJ1015	SEAT valve inlet	6
10	UZJ1016	SEAT valve exhaust	6
11	10804082	SPRING valve inner	12
12	10804083	SPRING valve outer	12
13	10805956	COLLAR valve upper	12
14	10804089	COLLAR valve lower	12
15	801864	CONE split 2 halves	12
16	801658	SEAL valve stem inlet	6
17	10803484	JOINT side cover to cylinder block	2
18	801832	JOINT side cover to cylinder block	2
	10806282	NOZZLE water inlet sub assembly	4
	10806283	JOINT	4
	SH105101	SCREW 5 mm x 10 mm	16
	10807077	WASHER tab	8
21	10808646	COVER side and water rail	1
22	10808648	JOINT water rail to cylinder block	2
23	802052	COVER front and rear	2
24	802053	JOINT	2
25	SH108201	SCREW 8 mm) Right hand side	18
26	WL108001	LOCKWASHER 8 mm) cover to cylinder	20
27	SH108251	SCREW 8 mm) block	2
28	SH108251	SCREW 8 mm) Water rail to	20
29	BH108111	BOLT 8 mm) left hand side	2
30	WL108001	LOCKWASHER 8 mm) cylinder block	22
31	SJ110201	SCREW 10 mm cover front and rear	12
32	10806383	CAMSHAFT	1
33	802047	PLUG camshaft	2
34	10808082	GEAR driving camshaft	1
35	802164	DOWEL	1
36	10808430/22	SCREW 12 mm Durlock	4
37	10806209	HOUSING thermostat	1

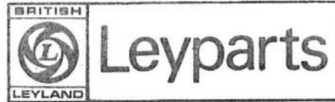
Illust. ref.	Part	Description	Quantity per unit
	10805955/7	WASHER tappet adjusting)	
	10805955/8	" " ")	
	10805955/9	" " ")	
	10805955/10	" " ")	
	10805955/11	" " ")	
	10805955/12	" " ")	
	10805955/13	" " ")	
	10805955/14	" " ")	
	10805955/15	" " ")	
	10805955/16	" " ")	
74	802445	BEARING camshaft intermediate	12
75	802446	BEARING camshaft rear	2
76	802667	BUSH shaft control	2
77	10808076	O-RING	1
78	802163	DOWEL tappet block	2
79	802045	PLUG tappet block oilway	1
80	802063	WASHER tappet block oilway	1
81	TE110060	STUD 10 mm)	2
82	NH110041	NUT 10 mm)Tappet block to	2
83	SH110251	SCREW 10 mm)cylinder block	14
84	WS110001	WASHER 10 mm spring)	16
85	SS110651	SCREW 10 mm socket)	12
86	802665	JOINT)	1
87	802162	DOWEL)	10
88	TE108180	STUD 8 mm)	3
89	802049	NUT domed) Top cover to	14
90	802062	WASHER) tappet block	20
91	SH108251	SCREW 8 mm)	5
92	WS108001	WASHER 8 mm spring)	7
93	TE108190	STUD 8 mm)	1
94	BH108071	BOLT 8 mm)	2
95	10807011	CAP oil filler sub assembly	1
96	800975	O-RING	1
97	10804489	BRACKET reservoir to top cover	1
98	10807245	MANIFOLD exhaust front	1
99	10807246	MANIFOLD exhaust rear	1
100	10807247	TUBE centre	1
101	10804757	RING compression	6
102	801837	JOINT for exhaust manifold (2 bolt)	4
103	801836	JOINT for exhaust manifold (4 bolt)	2
104	802693	STUD 10 mm)	16
105	10804286	NUT)Exhaust manifold to	16
106	10806467	WASHER tab)cylinder block	16

Illust. ref.	Part	Description	Quantity per unit
145	10806393	BRACKET stop sub assembly	1
146	10806395	BLOCK)	2
147	BH108071	BOLT 8 mm) Stop bracket	2
148	NH108041	NUT 8 mm)	2
149	SH108251	SCREW 8 mm)	12
150	10807006	STUD collared)	2
151	WS108001	WASHER 8 mm spring) Inlet manifold to	14
152	WL108001	LOCKWASHER 8 mm) cylinder block	2
153	NH108041	NUT 8 mm)	2
154	520041	BRACKET anchor) Water pipes	1
155	10808590	BRACKET) to top cover	1



CYLINDER BLOCK
ECB.37A/4
PL 200093/4

Illus. ref.	Part	Description	Quantity per unit
Sub Group A.23			
CYLINDER BLOCK UNIT ECB.37A/4			
All parts as quoted on unit specification ECB.37A with the following exceptions:			
REPLACEMENT PARTS			
	WAL1640	PIPE breather sub assembly replaces 10805570	1
	MEJ0004	MANIFOLD exhaust front replaces 10807245	1
	MEJ0003	MANIFOLD exhaust rear replaces 10807246	1
	ELJ0002	EYE lifting replaces 803104	1
	SH112350	SCREW 12 mm x 1.75 for lifting eye replaces SH112300	2
	HTJ0004	HOUSING thermostat replaces 10806209	1
	EWJ0003	ELBOW water outlet replaces flange 10806454	1
	BH108131	BOLT 8 mm x 1.25 replaces SH108250 water outlet elbow to thermostat housing	1
ADDITIONAL PARTS			
	SH108250	SCREW 8 mm x 1.25 top cover to tappet block	2
	CAL1159	BRACKET	1
	TE110040	STUD 10 mm x 1.50) Agglomerator	2
	WL110000	WASHER 10 mm) bracket to inlet	2
	NH110040	NUT 10 mm) manifold	2
	10911265	BRACKET - electrical clips to top cover	2
	WAL0414	BRACKET sub assembly turbocharger elbow	1
	BH110071	BOLT 10 mm x 1.50) End cover	3
	WL110000	WASHER 10 mm spring)	3
	10805954	SWITCH thermal)	1
	10867474	COVER terminal)	1
	10803963	WASHER copper)	1
	10806190	PLUG M22) Thermostat housing	1
	802069	WASHER copper)	1
	121975	PLUG 1" B.S.P.)	1
	511365	WASHER copper)	1



Illus. ref.	Part	Description	Quantity per unit
Sub Group A.23			
CYLINDER BLOCK UNIT ECB.37A			
10906269		BLOCK cylinder complete with liners covers valve guides sets etc sub assembly	1
801848		LINER cylinder	6
10805640		SLEEVE injector	6
801828		COVER side	2
SH108200		SCREW 8 mm x 1.25)	18
WL108001		WASHER 8 mm lock) Right hand side	20
10803484		JOINT) cover to cylinder	2
801832		JOINT) block	2
SH108250		SCREW 8 mm x 1.25)	2
10806282		NOZZLE water inlet sub assembly	1
10806283		JOINT	4
10808646		COVER side water rail	1
SH105101		SCREW 5 mm x 0.8	16
10807077		WASHER tab	8
SH108250		SCREW 8 mm x 1.25)	20
BH108111		BOLT 8 mm x 1.25) Water rail to	2
WL108001		WASHER 8 mm lock) left hand cylinder block	24
10808648		JOINT)	2
802052		COVER front and rear	2
SJ110200		SCREW 10 mm x 1.50	12
802053		JOINT	2
801880		GUIDE valve inlet	6
801658		SEAL valve inlet	6
10803935		VALVE inlet	6
10804881		SEAT valve inlet	6
801879		GUIDE valve exhaust	6
10803936		VALVE exhaust	6
10804944		SEAT valve exhaust	6
10804082		SPRING valve inner	12
10804083		SPRING valve outer	12
10805956		COLLAR upper	12
10804089		COLLAR valve lower	12
801864		CONE split	12 pairs

Illus. ref.	Part	Description	Quantity per unit
	10806924	PIPE oil drain rear sub assembly	1
	10805572	HOSE 1.5/8" bore	1
	CJ600384	CLIP for hose	2
	10805957	TAPPET	12
	10805955/1	WASHER tappet adjusting)	
	10805955/2	" " ")	
	10805955/3	" " ")	
	10805955/4	" " ")	
	10805955/5	" " ")	
	10805955/6	" " ")	
	10805955/7	" " ")	
	10805955/8	" " ") Sizes as required	
	10805955/9	" " ") one per tappet	
	10805955/10	" " ")	
	10805955/11	" " ")	
	10805955/12	" " ")	
	10805955/13	" " ")	
	10805955/14	" " ")	
	10805955/15	" " ")	
	10805955/16	" " ")	
	802445	BEARING camshaft intermediate	12
	802446	BEARING camshaft rear	2
	802667	BUSH for control shafts	2
	10808076	O-RING	1
	802163	DOWEL tappet block to cylinder	2
	802045	PLUG)	1
	802063	WASHER) Tappet block to oilway	1
	TE110060	STUD 10 mm x 1.50)	2
	WS110000	WASHER 10 mm spring) Tappet block to	2
	NH110040	NUT 10 mm x 1.50 normal) cylinder block	2
	SH110250	SCREW 10 mm x 1.50)	14
	SS110650	SCREW 10 mm coarse) Tappet block to	12
	WS110000	WASHER 10 mm spring) cylinder block	14

Illus. ref.	Part	Description	Quantity per unit
802046	PLUG 12 mm) Water jacket	2
802064	WASHER		2
10804965	PLATE cover)	1
802627	JOINT)	1
SH108200	SCREW 8 mm x 1.25) Compressor air feed	2
WL108000	WASHER 8 mm lock)	2
801992	JOINT) Thermostat housing to block	1
SH108250	SCREW 8 mm x 1.25		4
WL108000	WASHER 8 mm lock		4
10807005	PLATE blanking) Rear thermostat facing	1
802208	PLUG		1
801992	JOINT)	1
SH108200	SCREW 8 mm x 1.25) Blanking plate to block	4
WL108000	WASHER 8 mm lock)	4
803136	JOINT)	3
SH108250	SCREW 8 mm x 1.25) Oil drain pipes	4
WL108000	WASHER 8 mm lock)	4
10806952	JOINT)	1
TE110090	STUD 10 mm x 1.50	fuel filter to inlet manifold	1
TE110050	STUD 10 mm x 1.50	packing piece to inlet manifold	1
BH110081	BOLT 10 mm x 1.5)	1
WS110000	WASHER 10 mm spring) Fuel filter to	2
WL110000	WASHER 10 mm lock) packing piece	1
NH110040	NUT 10 mm x 1.50 normal)	3
520041	BRACKET) Water pipes to top cover	1
10808590	BRACKET		1
10806393	BRACKET stop sub assembly		1
BH108071	BOLT 8 mm x 1.25		2
NH108040	NUT 8 mm x 1.25 normal		2
SH108250	SCREW 8 mm x 1.25)	12
10807006	STUD collared)	2
WS108000	WASHER 8 mm spring) Inlet manifold to	14
WL108000	WASHER 8 mm lock) cylinder block	2
NH108040	NUT 8 mm x 1.25 normal)	2

Illus. ref.	Part	Description	Quantity per unit
Sub Group A.25			
HEAT EXCHANGER UNIT HE.26			
1	10807669	HEAT exchanger sub assembly	1
2	10807933	PLUG	1
3	WA0502	PIPE inlet water sub assembly	1
4	MBJ0009	BRACKET oil cooler support rear	1
5	WAL0503	PIPE outlet water sub assembly	1
6	WAL0504	PIPE oil sub assembly filter to cooler	1
7	WAL0505	PIPE oil sub assembly cooler to crankcase	1
8	SH108200	SCREW 8 mm x 1.25)	2
9	WL108001	WASHER lock 8 mm) Oil pipe to	4
10	801706/18	STUD 8 mm x 1.25) crankcase	2
11	NH108040	NUT normal 8 mm x 1.25)	2
12	SH108200	SCREW 8 mm x 1.25)	2
13	WL108001	WASHER lock 8 mm) Oil pipe	4
14	801706/18	STUD 8 mm x 1.25) to filter	2
15	NH108040	NUT normal 8 mm x 1.25)	2
16	CAL6002	O-RING oil pipe flanges heat exchanger to crankcase	2
17	CAL6002	O-RING oil pipe flanges heat exchanger to filter	2
18	802141	JOINT water pipe elbow - inlet	1
19	801706/18	STUD 8 mm x 1.25)	2
20	WL108001	WASHER lock 8 mm) Bracket front heat	2
21	NH108040	NUT normal 8 mm x 1.25) exchanger to	2
22	SH110300	SCREW 10 mm x 1.50) crankcase	2
23	WL110001	WASHER lock 10 mm)	2
24	801706/18	STUD 8 mm x 1.25)	2
25	WL108001	WASHER lock 8 mm) Bracket rear heat	2
26	NH108040	NUT normal 8 mm x 1.25) exchanger to	2
27	SH110250	SCREW 10 mm x 1.50) crankcase	2
28	WL110000	WASHER lock 10 mm)	2
29	SH108250	SCREW 8 mm x 1.25) Water pump to heat	2
30	WL108001	WASHER lock 8 mm) exchanger	4
31	BH108131	BOLT 8 mm x 1.25)	2
32	SH108250	SCREW 8 mm x 1.25) Heat exchanger to	3
33	BH108131	BOLT 8 mm x 1.25) water rail	1
34	WL108001	WASHER lock 8 mm)	4

